



All Windows
Group



PRODUCT OFFER
FOR PROFESSIONALS





The Urządowski Windows and Doors Factory was founded by combining the key elements of wooden joinery production. Comprehensive carpentry knowledge, extensive experience, and modern technologies form the foundation that quickly enabled the company to achieve the status of a leader in the joinery industry. Urządowski's wooden windows, patio doors, and exterior doors quickly gained recognition and trust from customers both in Poland and abroad. The products are distinguished by their timeless aesthetics and exceptional design. Urządowski also offers professional advice and support at every stage of the collaboration.



**smart
home**
All Windows Group

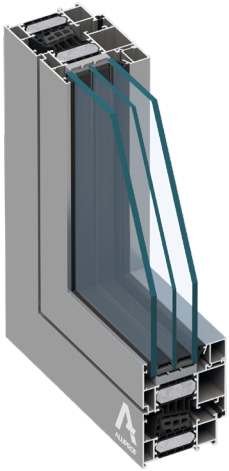
All Windows Group also offers advanced smart home solutions. We collaborate with leading system providers in the industry, such as Blebox, Somfy, GU, WinkHaus, and Maco, to deliver products that not only enhance living comfort but also increase safety and energy efficiency. All Windows Group products integrate with a wide range of Smart Home systems, allowing for easy management through a single central application. We provide solutions tailored to the individual needs of our clients.



Aluprof roller shutters

External roller shutters are an excellent year-round solution. In winter, they protect the building from heat loss, while in summer, they prevent overheating. Their tight seal helps minimize external noise and reduce air conditioning costs, making the building comfortable and energy-efficient. They are made from durable aluminum coated with a double layer of paint, making them resistant to various weather conditions, and the extensive color range allows for perfect matching to the facade. Additionally, our shutters, available in front-mounted, flush-mounted, and top-mounted systems, can be integrated with mosquito nets to protect rooms from unwanted insects.





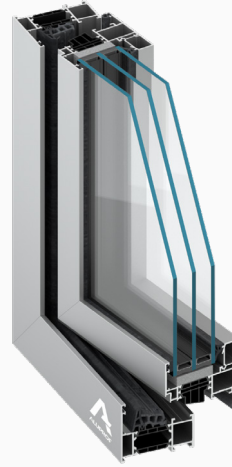
MB-86 N

Frame depth	77 mm
Sash depth	86 mm
Glazing thickness:	
- frame	8,5 - 61 mm
- sash	17,5 - 70 mm



U_w 
0,68
W/m²K

* U_w for the MB-86N SI openable window with sash dimensions 1700x2150 mm with glazing $U_g=0.5$ W/(m²K), and warm edge spacer



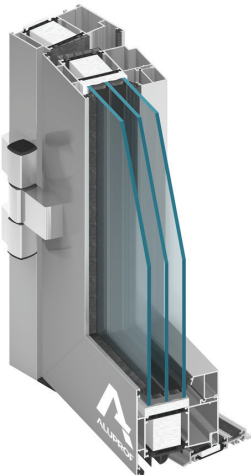
MB-79 N

Frame depth	70 mm
Sash depth	79 mm
Glazing thickness:	
- frame	1,5 - 54 mm
- sash	10,5 - 63 mm



U_f  U_w 
0,83 0,72
W/m²K W/m²K

* U_w for the MB-79N SI openable window with sash dimensions 1700x2150 mm with glazing $U_g=0.5$ W/(m²K), and warm edge spacer



MB-104 PASSIVE

Frame depth	95 mm
Sash depth	104 mm
Glazing thickness:	
- frame	27 - 72 mm
- sash	34,5 - 81 mm

U_w 
0,59
W/m²K

* U_w for the MB-104 PASSIVE openable window with sash dimensions 1700x2150 mm with glazing $U_g=0.5$ W/(m²K), and warm edge spacer



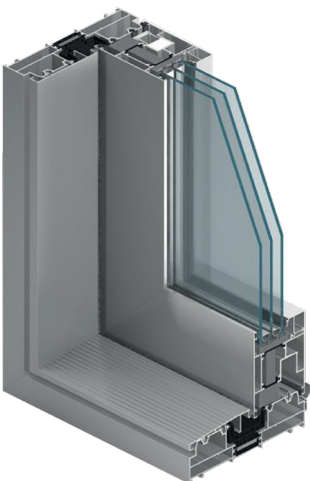
ALL DOORS

Panel doors

Frame depth	77 mm
Sash depth	77 mm
Thickness of filling	44 - 77 mm

U_d 
0,80
W/m²K

* U_g for the door MB-86N SI+ with a sash size of 1400x3000 mm with glazing $U_g=0.5$ W/(m²K), and warm edge spacer

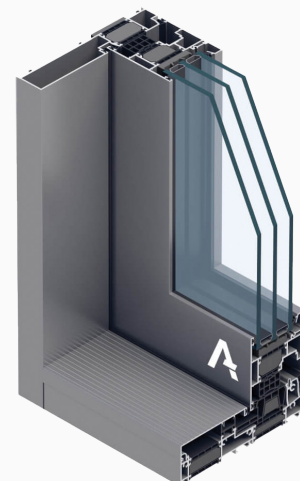


MB-77 HS

Frame depth	174 mm
Sash depth	77 mm
Glazing thickness	13,5 - 58,5 mm

U_w 
0,84
W/m²K

* U_w for MB-77HS HI doors with a sash size of 3000x2900 mm with glazing $U_g=0.5$ W/(m²K), and warm edge spacer



MB-82 HS

Frame depth	186 mm
Sash depth	82 mm
Glazing thickness	18 - 66 mm

U_w 
0,60
W/m²K

* U_w for MB-82HS doors with a sash size of 6500x3300 mm with glazing $U_g=0.5$ W/(m²K), and warm edge spacer

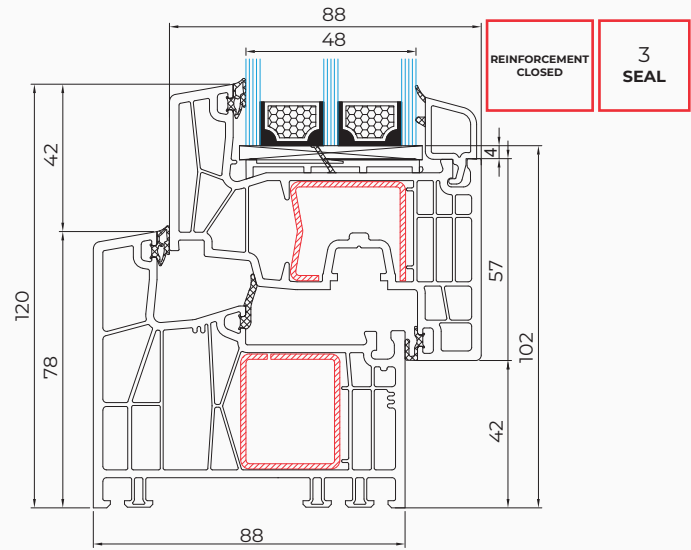


KÖMMERLING 88 MD

Glazing units	36 - 56 mm
Frame height	78 mm
Build-in depth	88 mm
Number of chambers	7
RAL color	9016

U_r 
0,95
W/m²K

U_w 
0,84*
W/m²K



* U_w value for a reference window with the SSP Ultimate warm edge spacer

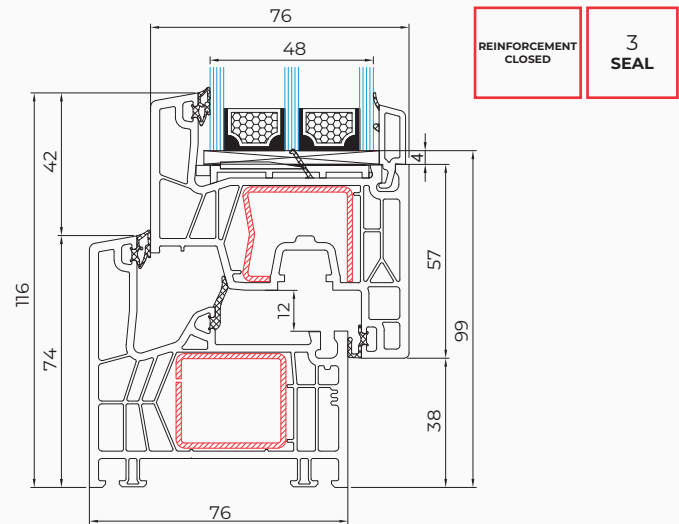


KÖMMERLING 76 MD

Glazing units	24 - 48 mm
Frame height	74 mm
Build-in depth	76 mm
Number of chambers	6
RAL color	9016

U_r 
1,1
W/m²K

U_w 
0,89*
W/m²K



* U_w value for a reference window with the SSP Ultimate warm edge spacer

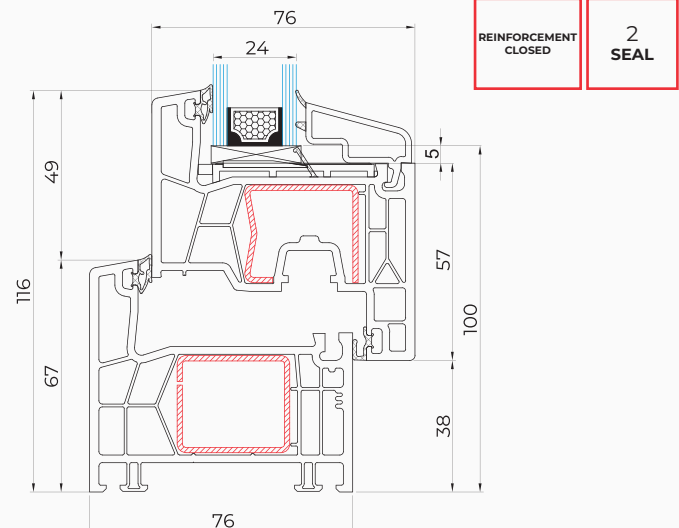


KÖMMERLING 76 AD

Glazing units	24 - 48 mm
Frame height	67 mm
Build-in depth	76 mm
Number of chambers	5
RAL color	9016

U_r 
1,2
W/m²K

U_w 
1,3*
W/m²K



* U_w value for a reference window with the SSP Ultimate warm edge spacer

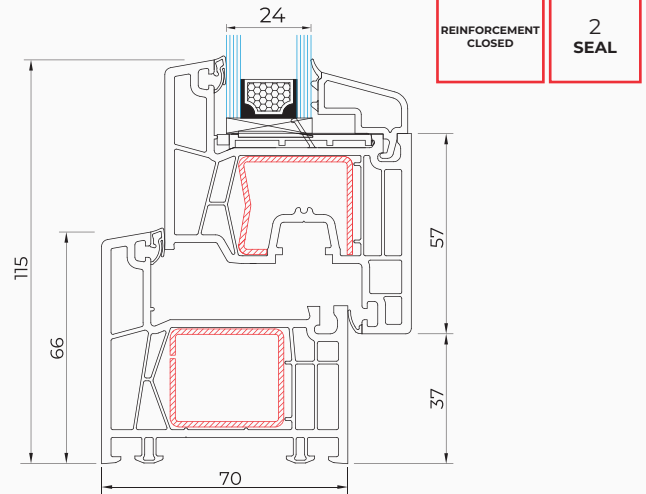


KÖMMERLING 70 AD

Glazing units	24 - 44 mm
Frame height	66 mm
Build-in depth	70 mm
Number of chambers	5
RAL color	9016

U_f 
1,3
W/m²K

U_w 
1,4*
W/m²K



* U_w value for a reference window with the SSP Ultimate warm edge spacer

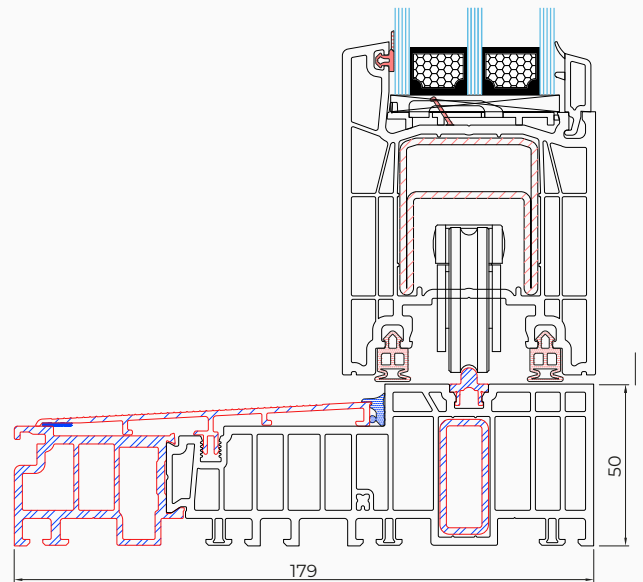


PREMIDOOR 76

Glazing units	48 mm
Frame height	65 mm
Build-in depth	179 mm
RAL color	9016

U_f 
1,4
W/m²K

U_d 
0,85
W/m²K



* U_w value for a reference window with the SSP Advance warm edge spacer

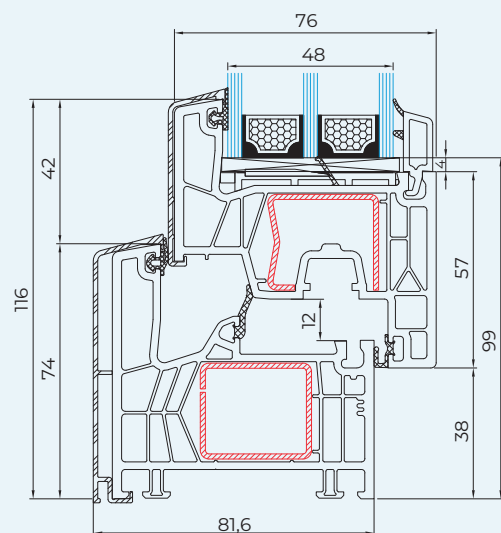
KÖMMERLING 76 MD

Aluclip Cladding

Aluminum cladding enables the harmonious design integration of PVC windows with aluminum or wood-aluminum joinery. It ensures an elegant appearance and flexibility in color selection, thanks to the option of painting according to the RAL color palette.

Using aluminum on the exterior enhances protection against weather conditions and UV rays.

The cladding is available
for all KÖMMERLING systems.





About us

We have been in the market for over 27 years, earning the trust and recognition of our clients. Quality and customer satisfaction are our maxims and the fundamental principles of our business. We support our clients' success by offering innovative solutions and products of the highest quality. By implementing new customer service standards, we ensure comprehensive technical support and prompt, efficient execution. Our experienced team of specialists is always ready to assist at every stage of cooperation.

Wide range of products

- ✘ PVC windows
- ✘ aluminium windows
- ✘ wooden windows
- ✘ lift-and-slide doors
- ✘ external doors
- ✘ external and top-mounted roller shutters
- ✘ external blinds
- ✘ glazing
- ✘ garage doors

Sales Representative Data



All Windows
Group

All Windows Group

ul. Karpacka 6
48-303 Nysa

+48 77 433 81 80
+48 77 435 52 33

sekretariat@allwindows.eu



www.allwindows.eu